

YTK CBL3040T 4M Projector Lift (Cable trunking management)

(Close, normal setting)



Features

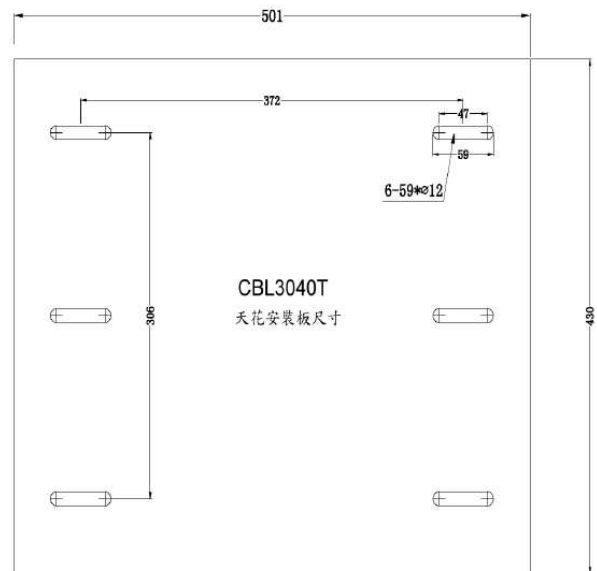
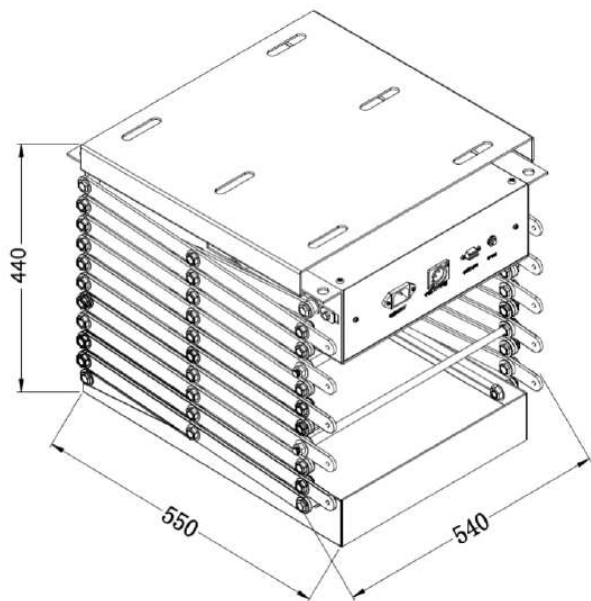
- 4m projector lift
- Supply RS232/RS485, Including: Manual(wall mounted and key switch) and RF wireless remote control
- Function: Up, Down, stop
- Material: steel, Steel wire
- Steel wire rope up to 4mm diameter
- USA damping motor , Brake Function
- The left / right is 16 groups scissors x 2 , Two section of distance corrections for lift function (close , normal setting)
- The adjustable projector angle mount bracket (the left/right 0-30 ° ; Up/Down 0-40 °)
- Automatic setting of one section: stop
- Color: Phenolic plastics or white , Surface treatment: Bake of high temperature
- Cable trunking management (left / right)

- LED light: power

Specification

- Motion max distance: 4000mm
- Weight: 45kg
- Load weight: 35kg
- Board size L x W (mm): 600 x 600
- Between true ceiling and false ceiling the height(mm): 800
- Power Supply: 220 V / 50 ~ 60 Hz
- Dimensions: 540(W) x 550(D) x 440(H)mm

Drawing



Built-in Wireless control:

- Control mode : RF wireless control
- Function: Up, Down, stop

Suitable use:

Hall, Lecture Theaters, Cinemas

Warranty: 12 Month

CB CE

www.ytk.com.hk